


PROJECT	TYPE	NOTES
<p><b>OVERVIEW</b></p> <p>The WW3 LED walkway light is designed for flushmount installation, in stairs, decks and floors. These walkway lights are great for interior and exterior applications.</p>		

[IES FILE \(3000K\)](#)  [DOWNLOAD](#)

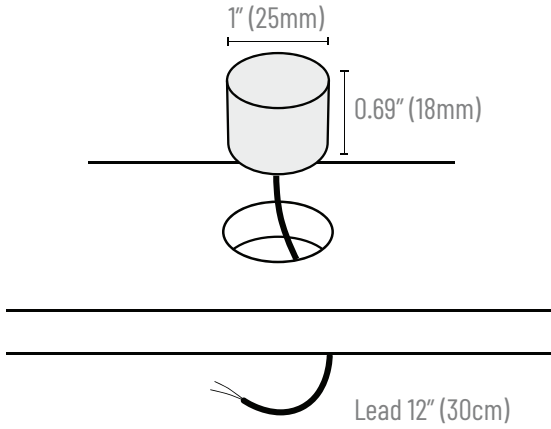


**TECHNICAL SPECIFICATIONS**

Operating Voltage	12VDC
Power Consumption	0.5W
Lumens Delivered (3000K)	20lm
Efficacy (3000K)	40lm/W
LED Chips	SMD
Color Temperature	3000K
CRI	90+
MacAdam Ellipse Binning	3-step
Beam	120°
Dimmable	YES
Housing	Polycarbonate
Warranty	5 years



DIMENSIONS



Cutout - Ø1" (25mm)  
Depth 0.75" (19mm)



Fixture View  
Top Down

ORDER CODE

WW3	121	3K
-----	-----	----

DRIVER CUTSHEETS

DESCRIPTION	INPUT	OUTPUT	WATTAGES	SPECIFICATION SHEETS
Non-Dimming Indoor	120VAC	12VDC	15W, 30W	DR-12VDC <a href="#">↓</a>
Non-Dimming Indoor/Outdoor	120VAC	12VDC	30W-264W	DR-12VDC-OUT <a href="#">↓</a>
Universal Phase Dimming Indoor	120VAC	12VDC	24W 48W 60W	DR-12VDC-DIMA <a href="#">↓</a>
Univ. Phase/0-10V Dimming Ind./Out.	100-277VAC	12VDC	30W-300W	DR-12VDC-DIMS-UNV <a href="#">↓</a>

