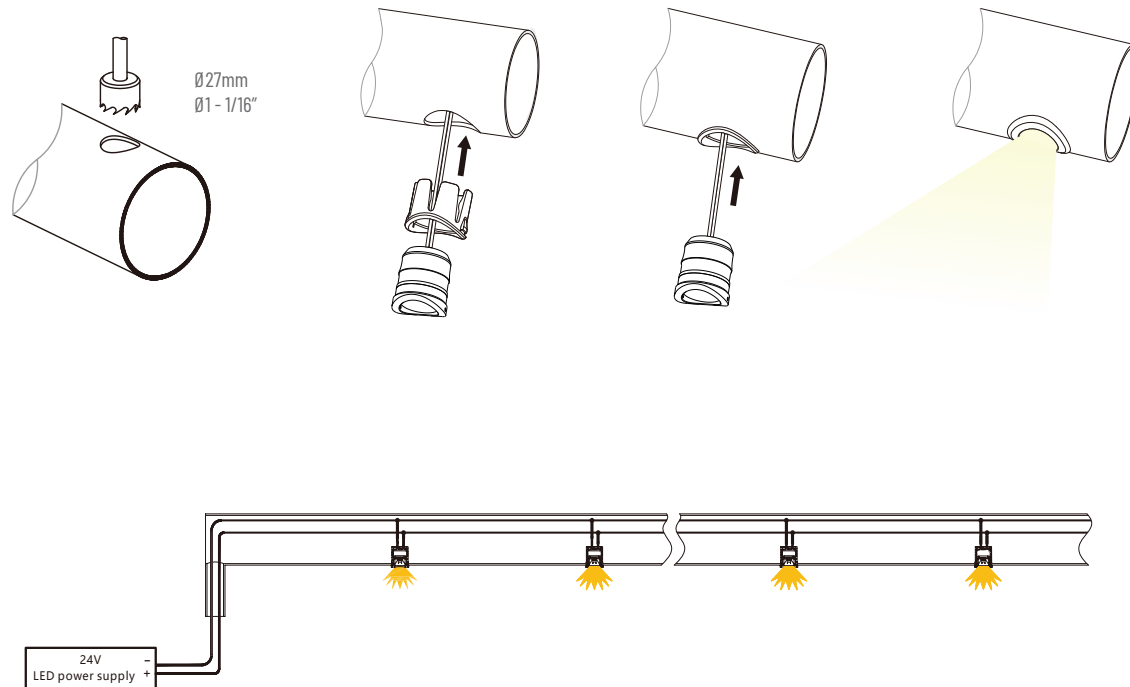
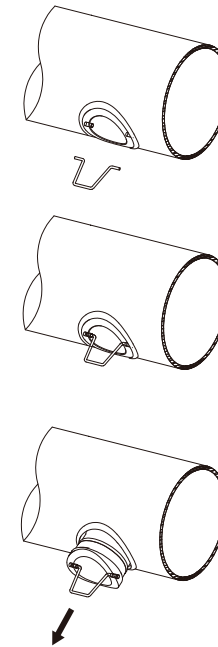


INSTALLATION



1. Drill the specified hole size in the handrail at required spacing. Remove any burrs which may damage wiring during installation.
2. Run wiring (provided by others) through the handrail. Pull 3-4 inches of wire through each hole to allow for easy installation (a maximum of 50 pcs can be run in parallel on 20AWG wire on a Class 2, 24VDC power supply).
3. Insert mounting brackets into handrail holes, while keeping the wiring loop outside of the handrail.
4. Connect each handrail light to the power wires using provided connectors. Stagger connectors so that you can insert them into the handrail. While lights are hanging out of the handrail, connect power supply and ensure each fixture illuminates.
5. Inspect any connections and fixtures that do not light up.
6. Disconnect power. Once connections are complete and all fixtures illuminate, snap fixtures through the mounting brackets. Installation complete. Re-connect power supply.

REMOVAL



1. Disconnect power.
2. Squeeze together arms of provided removal tool and insert pins into holes on the trim of the fixture.
3. Once removal tool is securely in place, pull on the tool to remove the fixture.