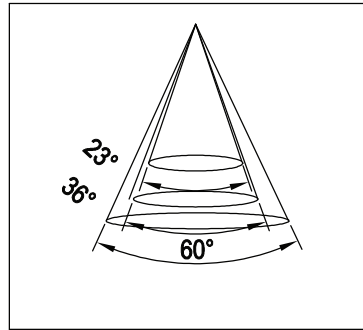
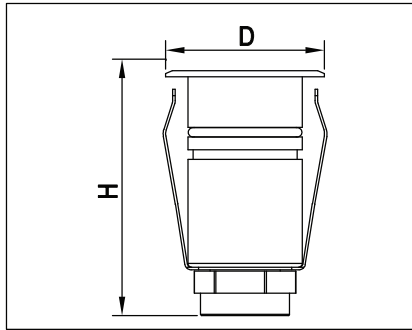


## Safety Instructions

Read these instructions carefully before commencing installation and retain for future reference. The luminaire should be installed by a licensed electrician and in accordance with local regulations. Make sure that the power is off before installation. Install as described below.

### Product Information:

Model No.	Voltage	Power	CCT(K)	Size(DXH):	Material	IP Grade
IG2	AC/DC 12V	1W	2700K 3000K 4000K	Ø25x40-44 Ø0.98"x1.7"	SS316L Brass	IP 67

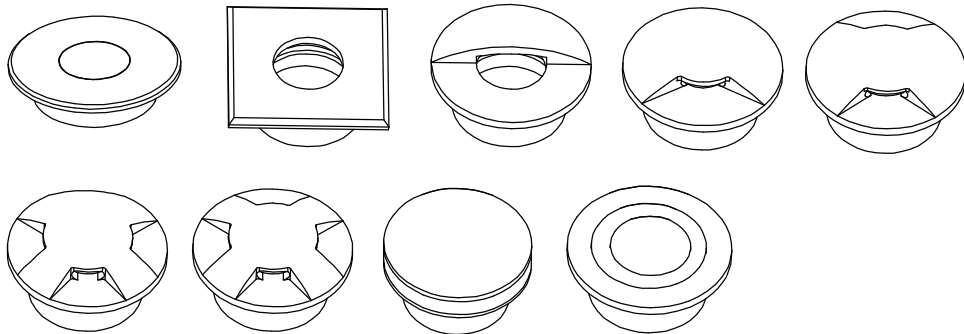


**IP67**

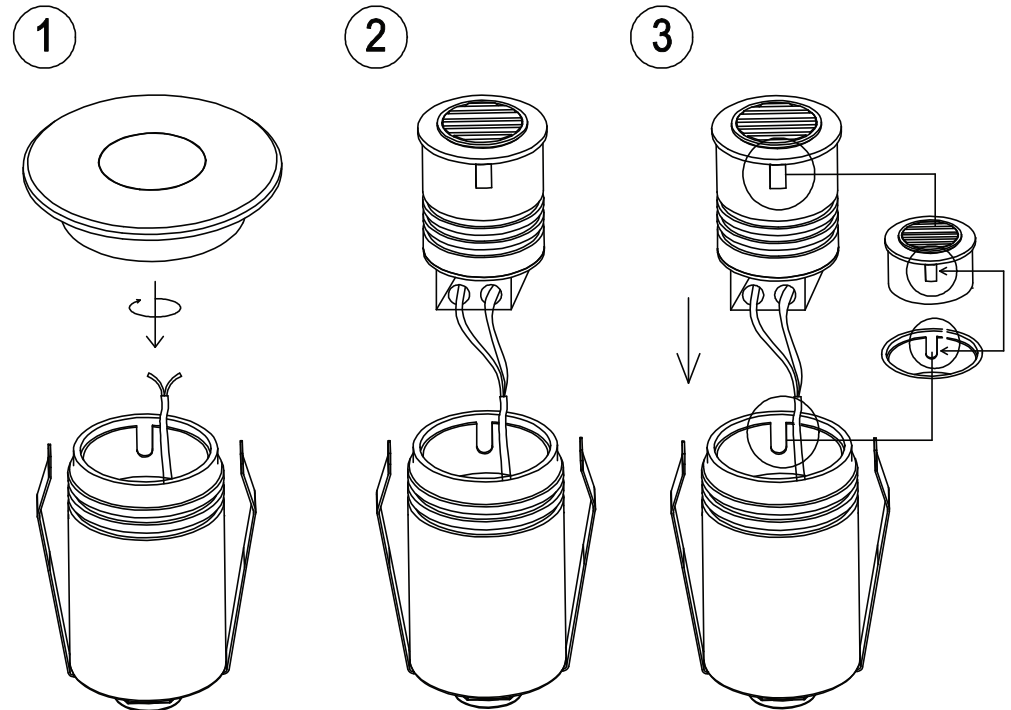
Dust Tight, zero ingress of dust permitted. Protected against the effects of immersion between 15cm and 1m.

**III**

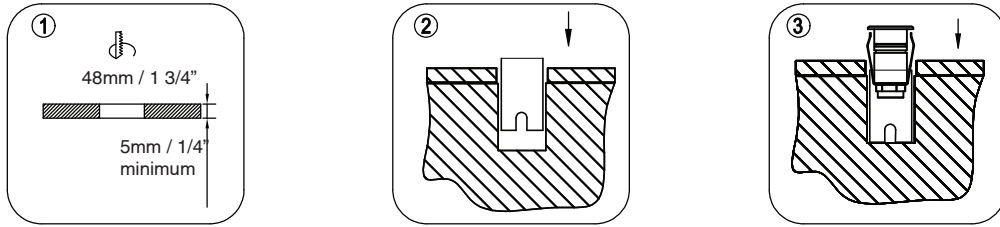
class of protection (SELV).



### Trim and LED Module Installation:

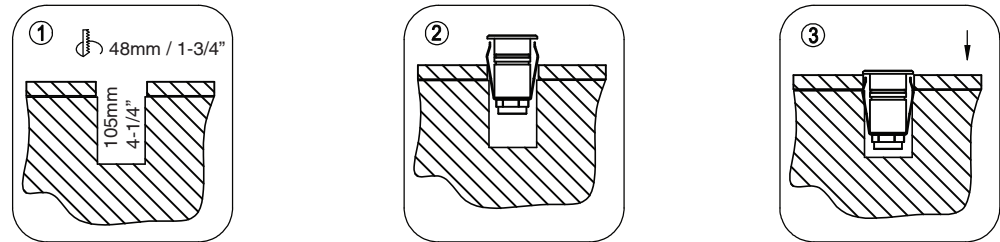


## Installation Instructions - In-ground Cylinder



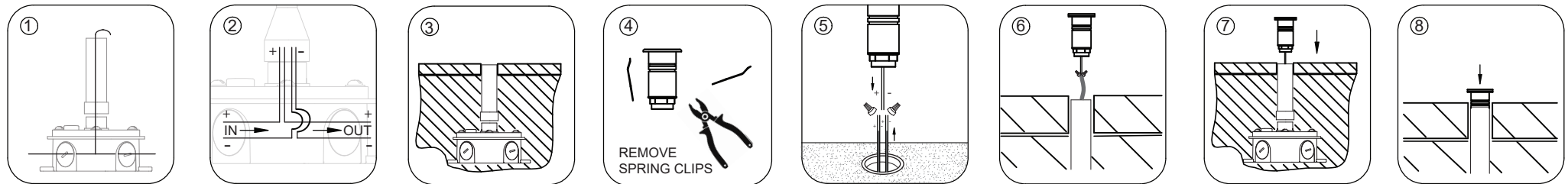
WARNING! Always ensure proper drainage below fixtures.

## Installation Instructions - Deck / Cored Paver (no j-box)



WARNING! Always ensure proper drainage below fixtures.

## Installation Instructions - Paver / ConcretePour (j-box)



WARNING! Always ensure proper drainage below fixtures.

## Wiring:

1. This LED luminaire must be connected to a constant voltage driver 12V AC/DC in parallel.  
WARNING! Incorrect connection may damage the luminaire.
2. Note the dimension requirements before installation.
3. The light from from an LED luminaire is strong, avoid looking directly into the light source.
4. Connect the LED luminaire to the driver before turning on the power to the driver.

