

PROJECT	TYPE	NOTES
---------	------	-------

### OVERVIEW

The DR-DMX-RGBW-WIFI-CON is a stand-alone color changing control system that utilizes both radio frequency and WiFi to control RGB and RGBW LED products. Feed out to multiple loads all linked together by XLR DMX or RJ45 Cables. An optional radio frequency remote can be used for control or an app on your Apple or Android phone can also be used for control over your wifi network. Setup custom scenes and zones on your remote or through the application. The remote and app can also work in conjunction with each other.

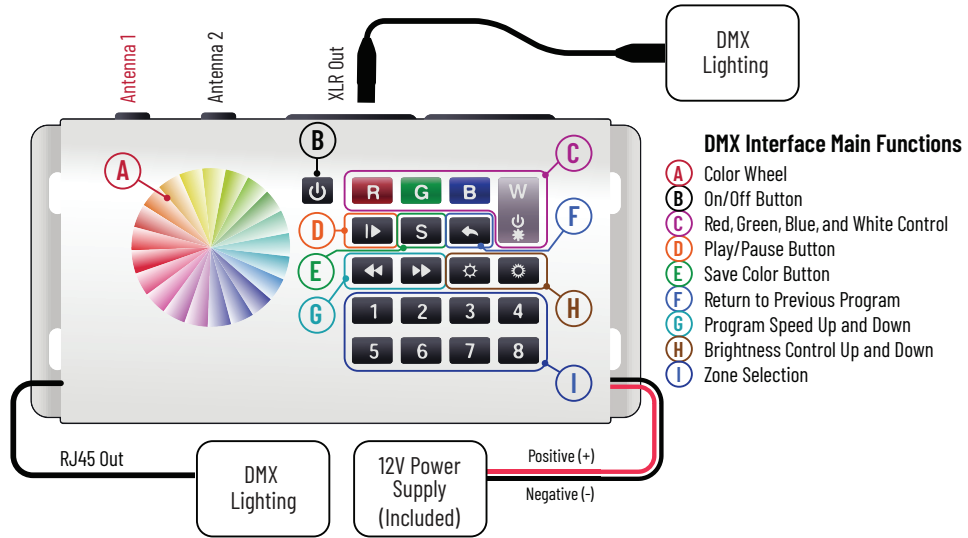


### TECHNICAL SPECIFICATIONS

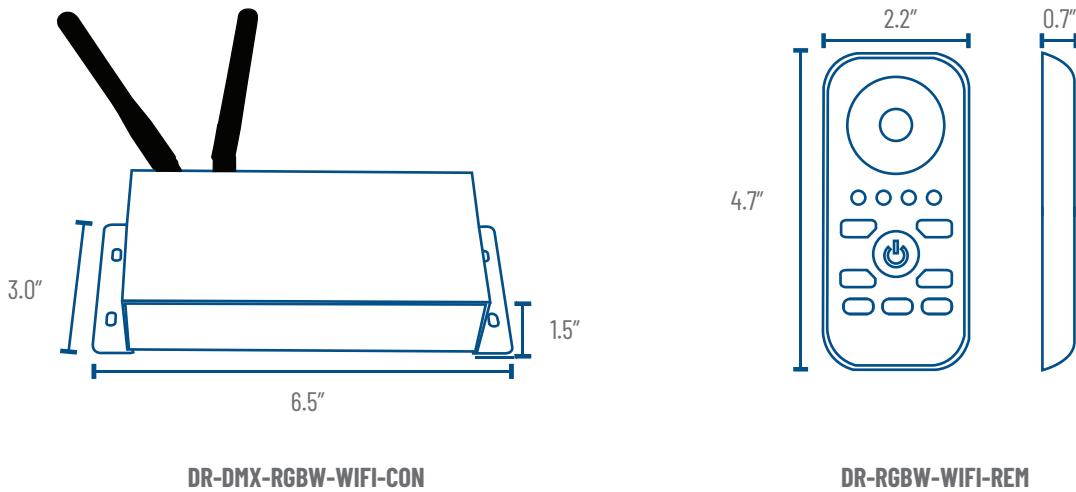
Input Voltage	12-36VDC
Output	4 x 8A (12V=96W, 24V=192W per channel) Static Color - 1, CCT-2, RGB - 3, RGBW-4
Control Zones	Wall Mount - 3, Remote - 4, App - 8
Custom Scenes	YES
Previous State Memory	YES
Individual Channel Control	YES
Dimmable	YES
Remote / Wall Mount Control	100ft
Mobile App Control	WiFi
Mobile App	EasyLighting EasyLife
Warranty	3 years



CONTROLS



DIMENSIONS



ORDER CODE

CONTROLLER

DR	RGBW	WIFI	CON
----	------	------	-----

REMOTE (OPTIONAL)

DR	RGBW	WIFI	REM
----	------	------	-----

