

PROJECT	TYPE	NOTES

OVERVIEW

The universal series drivers are one size fits all solution for indoor and outdoor lighting applications. Universal input of 100-277V, universal phase dimming (forward and reverse) to 1%, as well as 0.5% dimming in 0-10V.



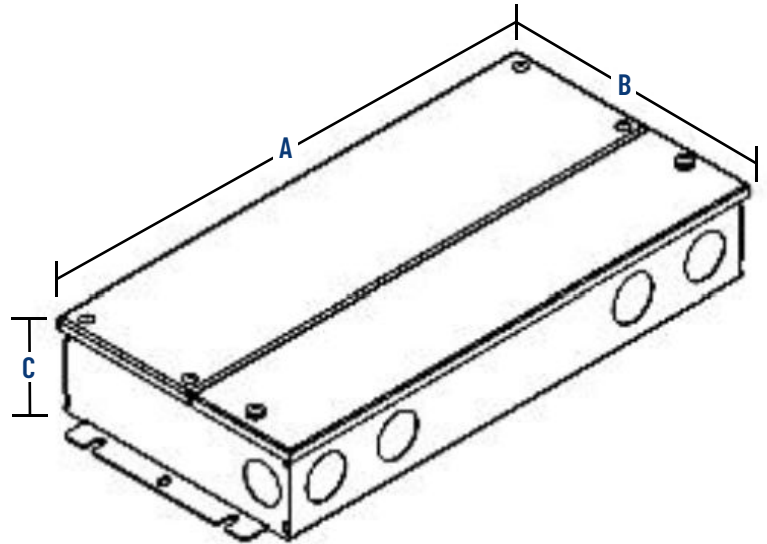
TECHNICAL SPECIFICATIONS

Input Voltage	100-277VAC
Output Voltage	24VDC
Rated Power	192W (96Wx2) / 288W(96Wx3)
Power Factor (at full load)	0.99@120VAC / 0.95@277VAC
Efficiency	88%@120VAC / 92%@277VAC
Protection	Short Circuit/Over Load/High Temp
Working Temperature	-40~140°F / -40~60°C
Rated Locations	Dry / Damp / Wet
Dimming	ELV/MLV/TRIAC/0~10V
Minimum Dimming Levels†	1% / 1% / 1% / 0.5%
Warranty	7 years



DIMENSIONS

	A	B	C
192W	10.9"	x 4.3"	x 1.6"
288W	11.9"	x 4.3"	x 1.6"



ORDER CODE

DR	-	24VDC	DIMS2	UNV
----	---	-------	-------	-----

WATTAGE

192W - 192 Watts (96W x2)

288W - 288 Watts (96W x3)

