

PROJECT	TYPE	NOTES
---------	------	-------

**OVERVIEW**

Universal phase dimming drivers allowing for the use of forward and reverse phase dimmers. TRIAC/MLV/ELV dimmers are all compatible. Their small size and integral wiring compartments, allow them to be easily concealed on projects.



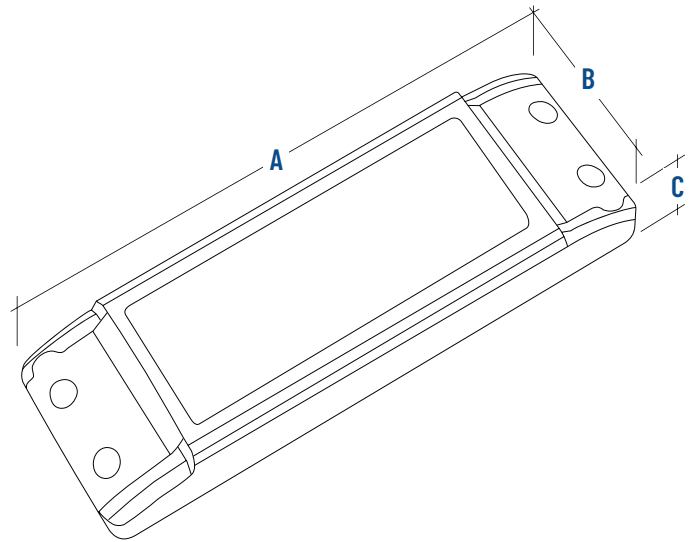
**TECHNICAL SPECIFICATIONS**

Input Voltage	100-130VAC
Output Voltage	24VDC
Rated Power	24W/48W/60W
Power Factor (at full load)	0.95@110VAC
Efficiency	85%@120VAC
Protection	Short Circuit/Over Voltage
Working Temperature	-40~140°F / -40~60°C
Rated Locations	Dry / Damp
Dimming	ELV/MLV/TRIAC
Minimum Dimming Levels†	1%
Warranty	3 years



**DIMENSIONS**

	<b>A</b>	<b>B</b>	<b>C</b>
24W	6.1"	x 2.1"	x 0.8"
48W	7.1"	x 2.4"	x 1.0"
60W	7.1"	x 2.4"	x 1.4"



**ORDER CODE**

DR	-	24VDC	DIMA
----	---	-------	------

**WATTAGE**

- 24W** - 24 Watts
- 48W** - 48 Watts
- 60W** - 60 Watts

