

PROJECT	TYPE	NOTES
---------	------	-------

OVERVIEW

The DR-24VDC-DALI-UNV is a universal input driver with DALI2 and D4i capabilities. Future ready with BUS power (AWN), and an additional auxillary power supply for sensors.



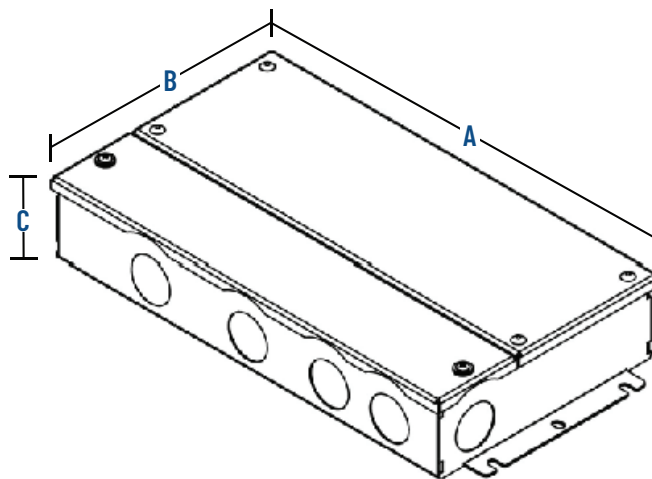
TECHNICAL SPECIFICATIONS

Input Voltage	100-277VAC
Output Voltage	24VDC
Rated Power	96W
Minimum Load	10%
BUS Power	6W
Auxillary Power	3W
Power Factor (at full load)	0.99@120VAC / 0.96@277VAC
Efficiency	91%@120VAC / 93%@277VAC
Protection	Short Circuit/Over Load/High Temp
Working Temperature	-40~122°F / -40~50°C
Rated Location	Dry / Damp / Wet
Dimming	Yes
Minimum Dimming Level	0.5%
Warranty	5 years



DIMENSIONS

	A	B	C
96W	9.1"	3.6"	1.7"



ORDER CODE

DR	96W	24VDC	DALI	UNV	-
----	-----	-------	------	-----	---

AWN*
 LUTRON

*optional

