

PROJECT	TYPE	NOTES

OVERVIEW

The universal series drivers are one size fits all solution for indoor and outdoor lighting applications. Universal input of 100-277V, universal phase dimming (forward and reverse) to 1%, as well as 0.5% dimming in 0-10V. These drivers truly are universal.



TECHNICAL SPECIFICATIONS

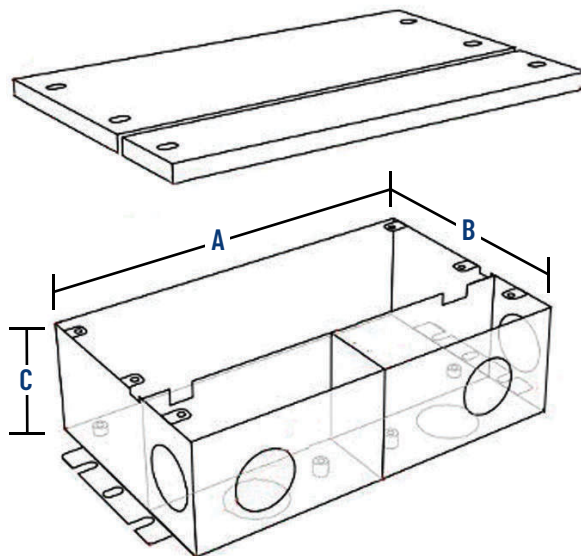
Input Voltage	100-277VAC
Output Voltage	12VDC
Rated Power	30W/60W/150W
Power Factor (at full load)	0.99@120VAC / 0.95@277VAC
Efficiency	88%@120VAC / 92%@277VAC
Protection	Short Circuit/Over Load/High Temp
Working Temperature	-40~140°F / -40~60°C
Rated Locations	Dry / Damp / Wet
Dimming	ELV/MLV/TRIAC/0~10V
Minimum Dimming Levels†	1% / 1% / 1% / 0.5%
Warranty	7 years

† Fixture model dependent



DIMENSIONS

	A	B	C
30W	6.5"	x 3.7"	x 1.6"
60W	7.4"	x 3.7"	x 1.6"
150W	10.2"	x 4.1"	x 1.8"



ORDER CODE

DR	-	12VDC	DIMS	UNV
----	---	-------	------	-----

WATTAGE

30W - 30 Watts

60W - 60 Watts

150W - 150 Watts

