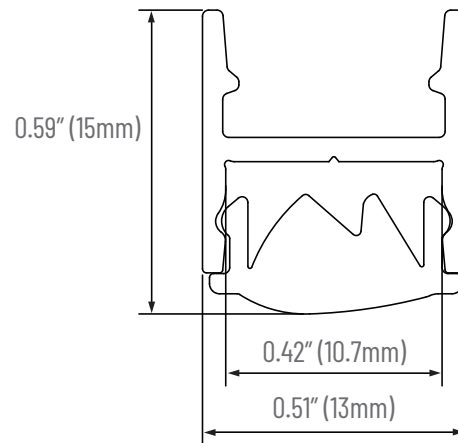
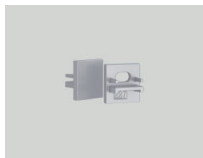


PROJECT	TYPE	NOTES



ACCESSORIES



End caps



Lens - Asym, 35°, 55°



Mounting clips

FINISHES



Anodized Aluminum



White



Black

ORDER CODE

AP	227	-	-	-
----	-----	---	---	---

LENGTH

1 - 1M (3.28ft)
XX - Custom

LENS

ASY - Asymmetric
35 - 35°
55 - 55°

FINISH

- - Anodized Aluminum
WH - White
BL - Black

