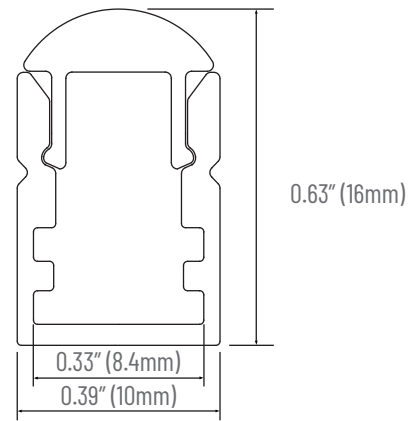


| PROJECT | TYPE | NOTES |
|---------|------|-------|
| | | |



ACCESSORIES



End cap with hole
End cap without hole



PMMA frosted lens 15°



Mounting clip

FINISHES



Anodized Aluminum



White



Black

ORDER CODE

| | | | |
|----|--------|---|---|
| AP | 035-RL | - | - |
|----|--------|---|---|

LENGTH

- 1** - 1M (3.28ft)
- XX** - Custom

FINISH

- - Anodized Aluminum
- WH** - White
- BL** - Black

